

MULTIMEDIA Series

Self-Powered Home Cinema System

Professional Active Self Powered 5:1 Sound System

For many years now Audio Performance has been developing speaker systems, that enjoy an impeccable reputation among sound professionals. This wealthy experience was used to create a 5.1 sound system beyond the ordinary offering new standards and a level of performance not previously available. The core philosophy while engineering the HC5 was to develop a system without any compromises regarding neutrality, tonal balance, smooth response and low distortion whilst retaining high sound pressure and the legendary durability of Audio Performance products. All components have been purposely designed to reproduce the sound field that was originally intended by the motion picture soundtrack. Components of the same type were used for all speakers in order to preserve exactly the same timbre quality and spectral consistency across all channels.

The system consists of two left-right, one central, two surround speakers and one subwoofer. All units, except the subwoofer, are true 2-way active, self-powered, allowing extremely accurate signal reproduction. The build in amplifier modules allow the system to be set up easily requiring only main supply and input signal connections. Integrated special protection circuitry makes the amplifier modules practically repair free. All amplifiers are calibrated at factory ensuring consistent quality.

The left and right speakers: these channels carry the full audio frequency range.

Because room reflections have an undesired effect on frequency

response we used a pair of 6.5" mid-bass drivers and a 1" dome tweeter in D'Appolito configuration limiting thus the vertical polar dispersion to the minimum. Regardless of furniture or room arrangements the primary listening area is optimally filled with sound enlarging the "sweet spot".

The central speaker: this channel forms the heart of the system defining the focal point for all cinematic action. This central full range speaker has a uniform horizontal polar response preserving the spectral balance of spoken word. Two 6.5" mid-bass drivers and a 1" dome tweeter mounted in a vented enclosure.

The surround speakers: this channel carry specific position sounds. These true 2-way direct radiating speakers use a 5" driver and 1" dome tweeter in vented enclosure designed to preserve perfect directional information.

The subwoofer: Special care has been taken designing the subwoofer since it's the bedrock of any good cinema reproduction system. An impressive maximum peak SPL of 125 db and the incredible frequency response down to 19 Hz transforms every soundtrack to an ultimate acoustical experience.

The D2SP integrated amplifier module is a sophisticated switch mode power supply, class-D amplifier design, capable of delivering more than 2 x 1'250W RMS into 2 Ohms and adding only 3Kg to the weight of the cabinet. It incorporates a complete networked 96KHz digital signal processing (DSP) providing loudspeaker specific filtering, EQ, delays and protection functions.

IDEAL FOR

Mastering Studio

Auditorium

Cinema

Home Theater

Special Features

Self-Powered

DSP Controlled Subwoofer

High Pressure Level

19Hz cut-off Frequency

MULTI MEDIA Series

Professional Active Self Powered 5:1 Sound System Specifications

Channels	SR5-amp Surround	FR6-amp Center	LR6-amp Left & Right
----------	------------------	----------------	----------------------

ACOUSTICAL

Frequency response (1).....	85Hz - 20KHz ± 3dB	55Hz - 20KHz ± 3dB	45Hz - 20KHz ± 3dB
Phase response	350Hz - 10KHz ± 45°	350Hz - 10KHz ± 45°	350Hz - 10KHz ± 45°
Max. peak SPL (2).....	113dB	118dB	118dB
Coverage	Horizontal: 120° Vertical:100°	Horizontal: 120° Vertical: 90°	Horizontal: 90° Vertical: 60°

TRANSDUCERS

Low frequency	1 x 5 inch, lg-ex	2 x 6.5 inch, lg-ex	2 x 6.5 inch, lg-ex
High frequency	1 x 1 inch dome tweeter	1 x 1 inch dome tweeter	1 x 1 inch dome tweeter

MECHANICAL DATA

Finish	Black epoxy painted	Black epoxy painted	Black epoxy painted
Dimensions (W x H x D)	180 x 290 x 238mm	500 x 200 x 358mm	200 x 1200 x 358mm
Grill	1,6mm steel, foam cover	1,6mm steel, foam cover	1,6mm steel, foam cover
Weight	5,5Kg	14Kg	21Kg



AMPLIFIERS

Output power (low)(5).....	120W RMS / 4 Ohm
Output power (high) (5).....	60W RMS / 8 Ohm
THD, DIM, SMPTE.....	<0,05%

AUDIO INPUT

Type.....	Analog Differential balanced input circuit
Connectors.....	Female XLR; Male XLR loop
Nominal impedance.....	10K ohm
XLR wiring.....	1: GND, 2: positive, 3: negative
Sensitivity	-10dBm, 0dBm, +4dBm (Switch)

AC power

Connectors.....	3-Pin IEC male receptacle
Input voltage (EU).....	115V - 230V 200VA max

Professional Active Self Powered 5:1 Sound System Specifications

HCSUB115-amp

ACOUSTICAL SPECIFICATIONS

Frequency response (1)..... 19Hz - 150Hz ± 3dB
Max. peak SPL (2)..... 125dB

TRANSDUCER DESCRIPTION

Low frequency 1 x 15 inch, ferrofluid cooled, long excursion

AMPLIFIERS

Output power (5)..... 2'500W RMS
THD, DIM, SMPTE..... <0,05%

AUDIO INPUT

Type..... Analog Differential balanced input circuit
Connectors..... Female XLR; Male XLR loop
Nominal impedance..... 10K ohm
XLR wiring..... 1: GND, 2: positive, 3: negative

DSP

Sampling rate 96KHz
Basic delay 0.76 ms
Dynamic range 115 dB

NETWORK

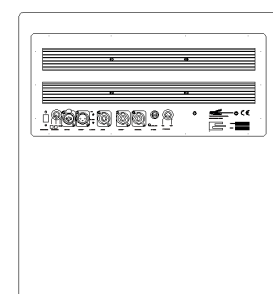
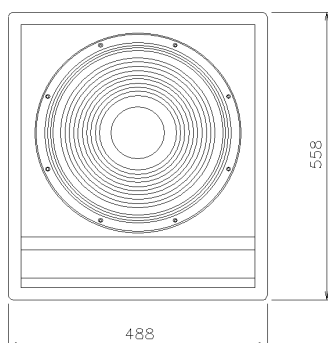
Type Ethernet
Connector..... RJ45 femal RJ45 loop

AC power

Connectors..... Female PowerCon, in; Male PowerCon loop
Input voltage..... 115V - 230V nominal +/- 10%
Input voltage selection..... Automatic

MECHANICAL DATA

Finish Black epoxy painted
Dimensions (W x H x D) 488 x 558 x 742mm
Grill 1,6mm steel, foam cover
Weight 49kg



MULTIMEDIA Series

Professional Active Self Powered 5:1 Sound System Specifications

HCSUB112-amp

ACOUSTICAL

Frequency response (1)..... 25Hz - 150Hz ± 3dB
Max. peak SPL (2)..... 125dB

TRANSDUCER

Low frequency 1 x 12 inch, ferrofluid cooled, long excursion

AMPLIFIERS

Output power (5) 1'250W RMS
THD, DIM, SMPTE..... <0,05%

AUDIO INPUT

Type..... Analog Differential balanced input circuit
Connectors..... Female XLR; Male XLR loop
Nominal impedance..... 10K ohm
XLR wiring..... 1: GND, 2: positive, 3: negative

DSP

Sampling rate 96KHz
Basic delay 0.76 ms
Dynamic range 115 dB

NETWORK

Type Ethernet
Connector..... RJ45 femal RJ45 loop

AC power

Connectors..... Female PowerCon, in; Male PowerCon loop
Input voltage..... 115V - 230V nominal +/- 10%
Input voltage selection..... Automatic

MECHANICAL DATA

Finish Black epoxy painted
Dimensions (W x H x D) 428 x 443 x 472mm
Grill 1,6mm steel, foam cover
Weight 35Kg

