

## MULTI-PURPOSE Series

Self-Powered 2 way DSP controlled Loudspeaker system  
PC remote controlled with networking

### Audio-Performance MP10-amp

The MP10-amp loudspeaker is a powered system that combines exceptionally accurate reproduction with high SPL output in a very compact multi-purpose enclosure available as mirror symmetrical left-right, to form pairs.

The MP10-amp uses a proprietary 10 inch cone ND low frequency driver mounted in a vented enclosure with carrying handles. The high frequency unit is a 2 inch diaphragm high frequency compression driver couple to a in house designed 40° / 90°x 60°asymmetrical horn.

A unique Active Speaker Output, ASO, allows the user to connect up to 4x slave unit called MP10-S in paralell to the MP10-amp.

The MP10-amp built-in electronics package features a new lightweight, two channel class D audio power amplifier (D2SP) designed specifically for Self-Powered products.

The D2SP amplifier module is a sophisticated switch mode power supply, class-D amplifier design capable of delivering more than 2 x 1'250W RMS into 2 Ohms and adding only 3Kg to the weight of the cabinet.

It incorporates a complete networked 96KHz digital signal processing (DSP) providing loudspeaker specific filtering, EQ, delays and protection functions.

Sophisticated amplifier protection systems continuously monitor all aspects of performance to ensure that the amplifier and associated drivers are always working within their safe operating areas.

With an extraordinary average efficiency of 90%, the system is practically service free.

PodWare PC application provides real time control and monitoring functions to either single units or whole networks of Audio-Performance self-powered loudspeakers through Ethernet CAT5 cable.

## IDEAL FOR

Stage Monitoring  
for  
Musical Instruments  
Singing  
or  
Speech

Side Fill or FOH

## Special Features

High power  
Self powered

Monitor & FOH presets

Active Speaker Output  
ASO

Ethernet Networking

PC remote controlled

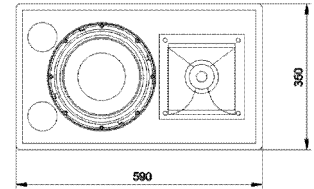


MULTI-PURPOSE Series

**MP10-amp Specifications**

**ACOUSTICAL**

Frequency response (1)..... 55Hz - 20KHz  
 Phase response ..... 350Hz - 10KHz +/- 45°  
 Max. peak SPL (2)..... 130dB  
 Coverage ..... Horizontal: 60°  
 Vertical: smoothly changing from 90° to 40°



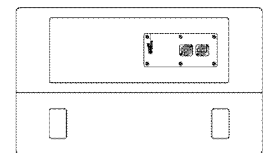
**TRANSDUCERS**

Low frequency ..... 1 x 10 inch, neodymium, long excursion  
 High frequency ..... 1 x 2 inch diaphragm, neodymium compression driver, loaded with asymmetrical horn



**AMPLIFIERS**

Output power (low) (5)..... 1'250W (EIAJ-1KHz, 1% THD)  
 Output power (high) (5)..... 1'250W (EIAJ-1KHz, 1% THD)  
 THD, DIM, SMPTE..... <0,05%

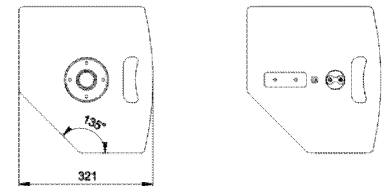


**AUDIO INPUT**

Type..... Analog Differential balanced input circuit  
 Digital via Ethersound Network  
 Connectors..... Female XLR; Male XLR loop  
 Nominal impedance..... 10K Ohm  
 XLR wiring..... 1: GND, 2: positive, 3: negative

**DSP**

Sampling rate ..... 96KHz  
 Basic delay ..... 0.76 ms  
 Dynamic range ..... 115 dB



**NETWORK**

Type ..... Ethernet  
 Connector ..... RJ45 female, RJ45 loop

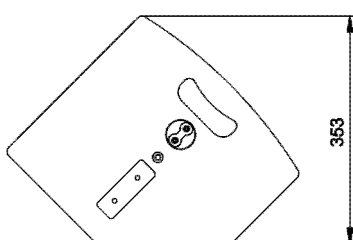
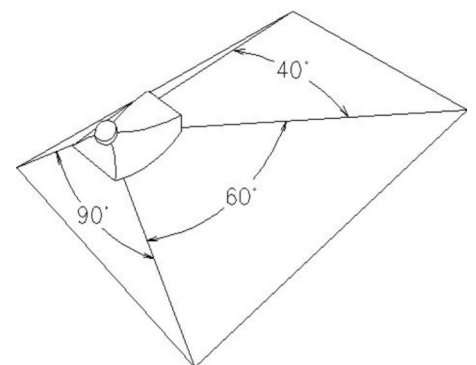
**AC power**

Connectors ..... Female PowerCon, in; Male PowerCon loop  
 Input voltage ..... 115V - 250V nominal +/- 10%  
 Input voltage selection ..... Automatic

**MECHANICAL**

Enclosure: ..... 15 & 18mm plywood  
 Finish ..... Black epoxy painted  
 Dimensions (W x H x D) ..... 590 x 350 x 321mm  
 Grill ..... Removable perforated 1,6mm steel, foam cover  
 Weight ..... 23Kg  
 Rigging ..... Aircraft L-track fittings, side and rear

**The coverage pattern of the asymmetrical horn.  
 Vertically 60° and horizontally smoothly changing from 90° to 40°**



**Low Profil Stage Monitor**